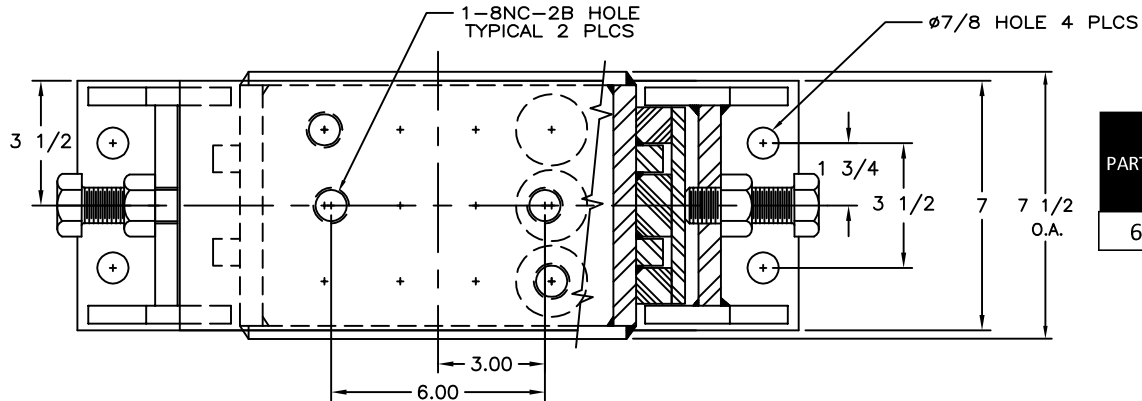
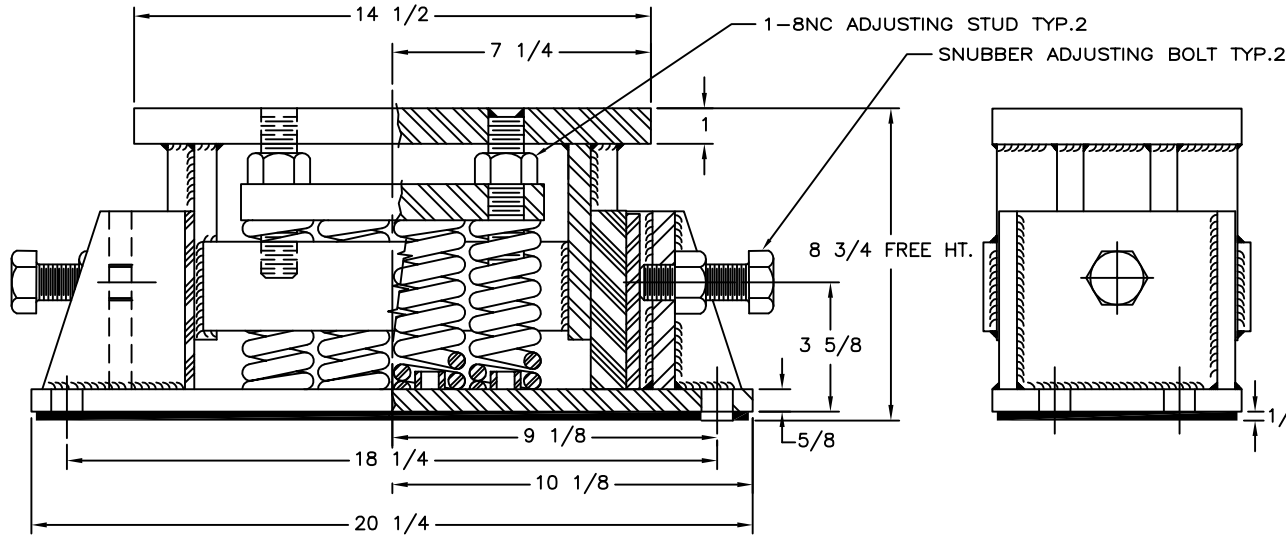


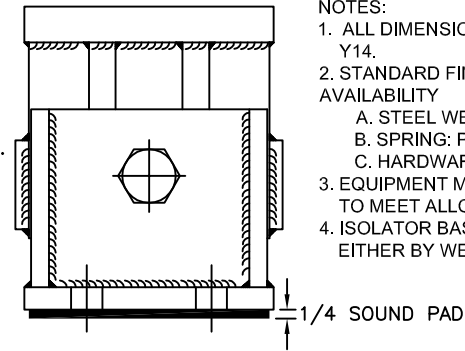
REV.	DESCRIPTION	DATE	BY



PART NUMBER	ISOLATOR MODEL	MAX STEADY (LBS)	MAX IMPACT (LBS)	ISOLATOR CONSTANT (LBS)	COLOR CODE
607339	SIJY-7512	22,900	17,160	34,640	PINK



- NOTES:
- ALL DIMENSIONS ARE IN INCHES, INTERPRET PER ANSI Y14.
  - STANDARD FINISH: CONTACT VMC FOR ADDITIONAL AVAILABILITY
    - A. STEEL WELDMENTS: STANDARD VMC COLOR
    - B. SPRING: POWDER COATED
    - C. HARDWARE: ELECTRO-ZINC PLATED
  - EQUIPMENT MUST BE BOLTED OR WELDED TO TOP PLATE TO MEET ALLOWABLE SEISMIC RATINGS.
  - ISOLATOR BASE PLATE MUST BE ANCHORED TO STEEL EITHER BY WELDING OR BOLTS.



OTHER MATERIALS, COMPOUNDS, OR FINISHES WITH EQUAL OR SUPERIOR PROPERTIES MAY BE SUBSTITUTED AS THEY BECOME AVAILABLE.

**CERTIFIED FOR:**

JOB NAME: \_\_\_\_\_  
 CUSTOMER : \_\_\_\_\_  
 CUSTOMER P.O.: \_\_\_\_\_  
 SALES ORDER: \_\_\_\_\_

**MODEL SIJY-7512 22,900 LBS.  
 MARINE SPRING ISOLATOR WITH  
 ADJUSTABLE SNUBBER**



**THE VMC GROUP**  
*The Power of Together*  
 Bloomingdale, NJ 07403  
 Houston, TX 77041

SCALE :

NONE

SHEET:



DRAWING NO.:

REVISION